

PCIe2-2707 - PCIe Gen2 Five Slot Expansion System

- ◆ **Five PCI Express Gen2 Slots**
 - Two x16 Slots (Double Width)
 - One x16 Slots (Single Width)
 - Two x8 Slots
- ◆ **80 Gb/s PCI Express X16 Gen2 Bi-directional Expansion Cable**
- ◆ **x16 Gen2 Host-Bus to Expansion Cable Adapter**
- ◆ **Rack Mount Expansion Chassis**
- ◆ **Turn Key Operation**



PCI EXPRESS

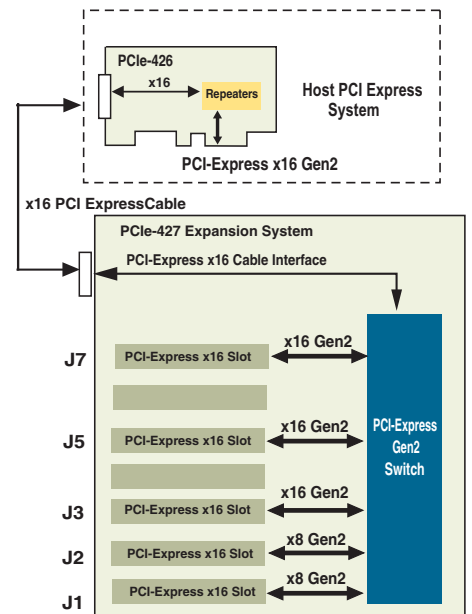


Cyclone Microsystems' PCI Express Expansion System allows system developers to expand one host x16 Gen2 PCI Express slot to an expansion chassis with five additional PCI Express Gen2 slots via a x16 (80 Gb/s) cable. The expansion chassis' non-blocking eighty lane PCI Express Gen2 switch enables the coupling of cost-effective enterprise host PCs with high bandwidth, peer-to-peer capable I/O subsystems.

The Five Slot PCI Express Gen2 Expansion System includes a host bus cable adapter, an expansion cable, and an expansion backplane mounted in an industrial 19-inch chassis. The PCIe2-426 PCI Express Gen2 x16 Host-Bus to Expansion Cable Adapter uses low latency bus repeaters to bridge from the host bus to a x16 expansion cable of either one or three meters. The cable connects to the Expansion Chassis and its PCIe2-427 Switched Expansion Backplane.

The PCIe2-427 Expansion Backplane provides an additional five slots for PCI Express Gen2 GPU and I/O cards. The five Gen2 expansion slots are configured as three x16 slots and two x8 slots. Two of the x16 slots are physically double width to accommodate GPUs, graphics processors and specialized embedded cards. PCI Express Gen2 is backward compatible to Gen1. Consequently all slots also support Gen1 cards as well. The PCIe2-2707's Switched Expansion Backplane is mounted in the 600-2060 Expansion Chassis, a 4U 19-inch rack mounted chassis that supports full length cards. The standard 650 Watt power supply is sufficient for many I/O applications. However, for GPU and other power-intensive applications, an optional 1500 Watt power supply is available to ensure ample power delivery.

The PCIe2-2707 Expansion System was specifically developed to satisfy intense graphic processing and visualization applications.



Cyclone Microsystems
370 James Street
New Haven, CT 06513-3051
Call (203) 786-5536
information@cyclone.com

PCI Express Expansion System
Data Sheet October 2010

Copyright 2010 Cyclone Microsystems. All Rights Reserved. All specifications subject to change without prior notice.

All names mentioned herein are trademarks of their respective holders.

PCIe2-2707 - PCIe Gen2 Five Slot Expansion System

PCIe2-426 Host Bus to PCIe Expansion Cable Adapter

- PCI Express Gen2 x16 Host Interface
- Low Latency PCI Express Bus Repeaters to x16 Expansion Cable
- Host Processor and Operating System Independent
- Standard Height Face Panel
- RoHS Compliant



PCIe2-427 PCI Express Expansion Backplane

- x16 Gen2 Upstream Port
 - x16 Gen2 PCI Express Cable Interface from Host
 - One or Three Meter Cable from Host
- Five PCI Express Gen2 Slots
 - Two x16 Slots (Double Width)
 - One x16 Slot (Single Width)
 - Two x8 Slots
- 80 Lane PCI Express Switch supporting:
 - Non-Transparent Bridging for Peer-to-Peer Communications
 - Non-Blocking Switch Fabric
 - Data Integrity
 - Quality of Service
- RoHS Compliant
- ATX Form Factor

600-2060 Expansion Chassis Specifications

Physical	19 Inch Rack Mount Enclosure 4U Height and 22 Inch Depth Black Color Rack Mount Flanges and Handles	Cooling	180 CFM Fans with Filter
Board Slots	Five Full Length PCI Express Slots	Power	650 or 1500 Watt Power Supply 100-240 VAC, 47-63 Hz Power Input +5V 30 A +12V 32 A +3.3V 32 A -12V 0.3 A +5VSB 2 A
Drive Bays	Three 5.25 Inch External Three/two 3.5 Inch External Locked Drive Bay Door		

Environmental

PCIe2-426

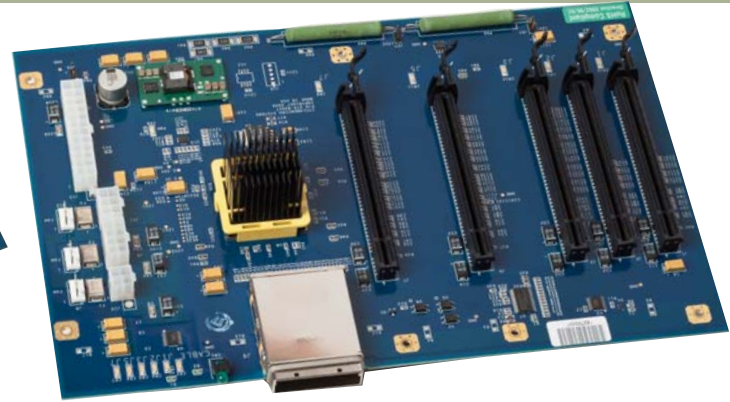
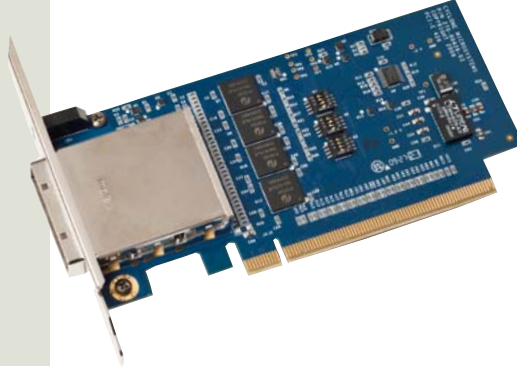
PCIe2-427

	PCIe2-426	PCIe2-427
Physical Dimensions	PCI-Express Card Short Length	Mini ATX 11.2" x 8.2" (284mm x 208mm) ATX 20 pin Power Supply Connector (Molex 39-29-9202 or equivalent) or BTX (24 pin) Power Supply Connector
Operating Temperatures	0 to 55 Degrees Celsius	0 to 55 Degrees Celsius
Relative Humidity	0 - 95%	0 - 95%
Storage Temperatures	-55 to 125 Degree Celsius	-55 to 125 Degree Celsius
Power Requirements (Watts)		
+3.3V Typical	1.09	0.33
Maximum	1.60	0.40
+5V Typical	-	1.03
Maximum	-	1.56
+12V Typical	0	0.02
Maximum	0	0.04
-12V Typical	-	-
Maximum	-	-

PCIe2-2707 - PCIe Gen2 Five Slot Expansion System

PCIe2-2707 Component Boards

PCI2e-426
Host Bus to PCIe Expansion Cable Adapter



PCI2e-427
PCI Express Expansion Backplane

PCI Express Expansion Chassis



PCIe2-2707 Five Slot Expansion System Ordering Information

600-2707-1-06-S	PCI Express Expansion System, 650 Watt/One Meter Cable Including: PCI2e-426 PCI Express Host Bus to Expansion Cable Adapter 530-R2040 One Meter x16 PCIe Expansion Cable PCI2e-427 PCI Express Expansion Backplane 600-2060 Expansion Chassis	600-2707-1-15-S	PCI Express Expansion System, 1500 Watt/One Meter Cable Including PCI2e-426 PCI Express Host Bus to Expansion Cable Adapter 530-R2040 One Meter x16 PCIe Expansion Cable PCI2e-427 PCI Express Expansion Backplane 600-2060 Expansion Chassis
600-2707-3-06-S	PCI Express Expansion System, 650 Watt/Three Meter Cable Including: PCI2e-426 PCI Express Host Bus to Expansion Cable Adapter 530-R2041 Three Meter x16 PCIe Expansion Cable PCI2e-427 PCI Express Expansion Backplane 600-2060 Expansion Chassis	600-2707-3-15-S	PCI Express Expansion System, 1500 Watt/Three Meter Cable Including: PCI2e-426 PCI Express Host Bus to Expansion Cable Adapter 530-R2041 Three Meter x16 PCIe Expansion Cable PCI2e-427 PCI Express Expansion Backplane 600-2060 Expansion Chassis
800-2707	PCIe2-2707 User's Manual		

Cyclone Microsystems
370 James Street
New Haven, CT 06513-3051

PCI Express Expansion System
Data Sheet October 2010
All specifications subject to
change without prior notice.